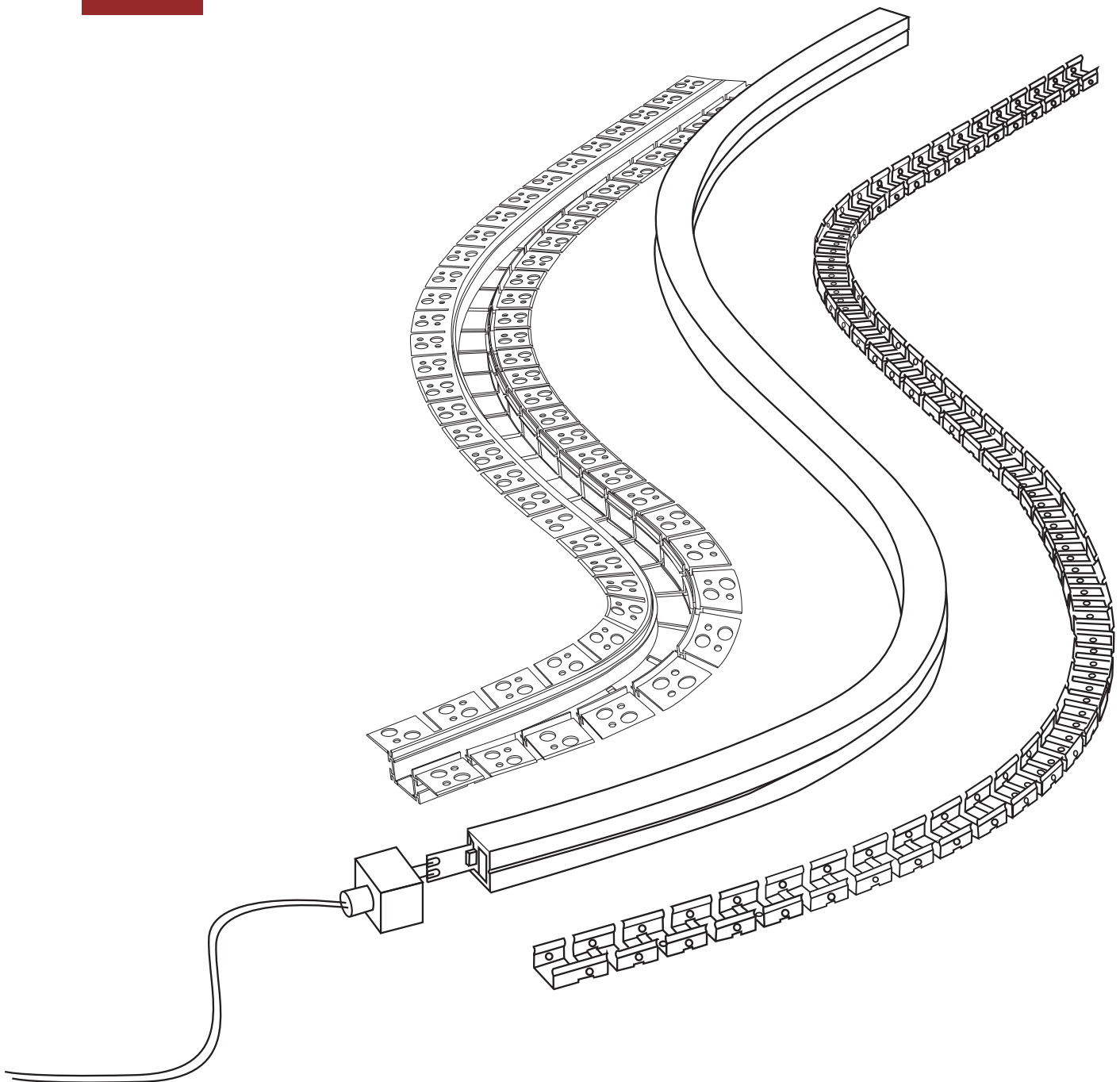




Silicone Neon Flex Series

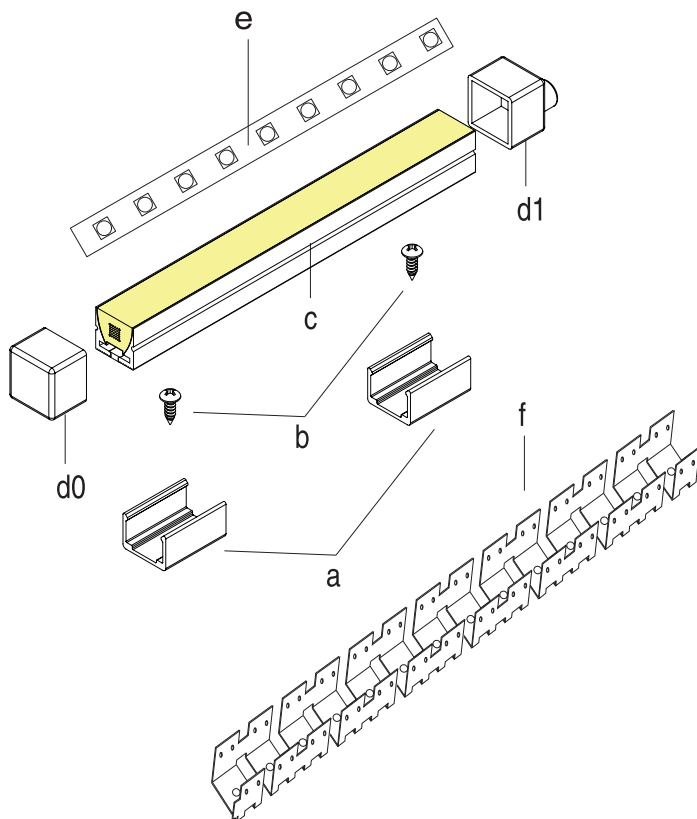
# Installation Manual



## Usage Statement:

- a. Please read all statements and carefully read the installation precautions before installation;
- b. Although this product is low voltage, please do not give it to children to play with.
- c. Suitable for outdoor use, waterproof grade: IP65/ IP67.
- d. LED lamps are used in ambient temperatures of- 20C~50C.
- e. Be sure to turn off the power before installation to prevent damage to the strip.
- f. In the use of matching DC power supply, you need to confirm the actual power of the strip, and then select the use of the corresponding power supply drive.
- g. During installation, please pay attention to the polarity of the wiring and the operating voltage requirements of the strip.
- h. The actual total power of the strip must not exceed 80% of the power of the connected power supply.
- i. String light strip recommended total power of 80W maximum not more than 100w otherwise the brightness difference between the first and last will be more obvious.
- j. The use of the process needs to ensure that no flammable and explosive substances cover.
- k. 14 watts and 18 watts RGBW four -color DMX control products, please avoid long-term four-color full brightness full power state operation, otherwise it may lead to the fixture life reduced scale-style risk-free.
- l. If additional power supply line is needed between the drive power supply and the light strip, the recommended wire diameter is not less than 2.5 square meters, and the length of the additional line is not more than 20 meters.

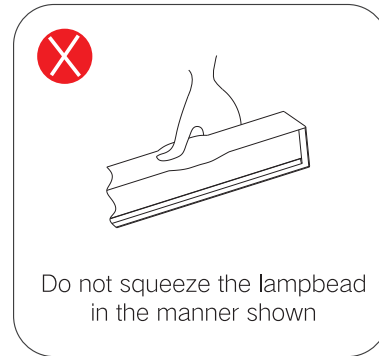
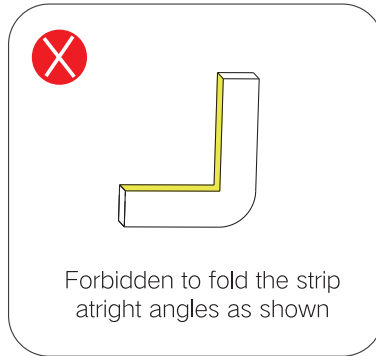
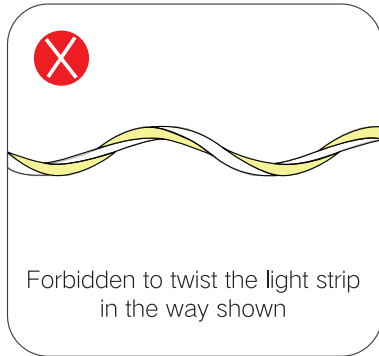
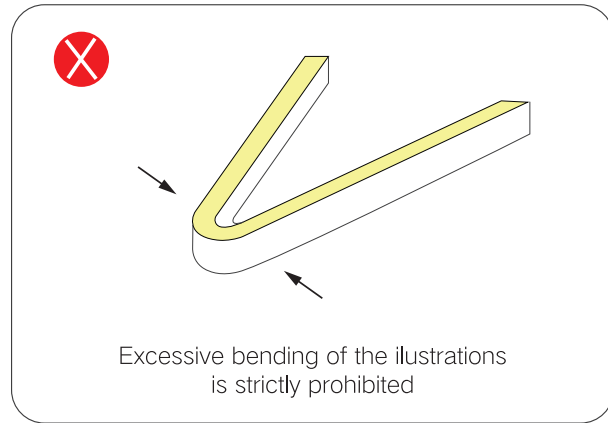
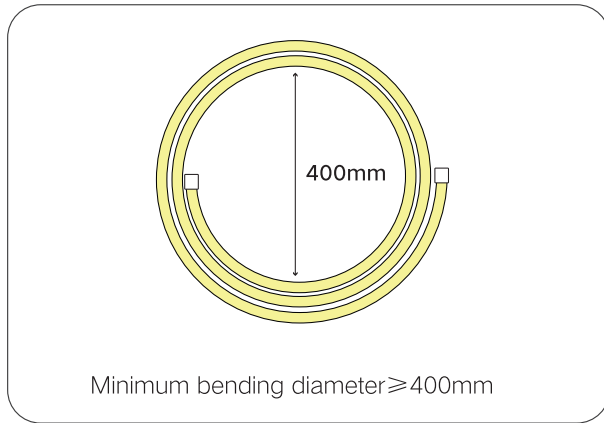
## 1.Silicone casing components



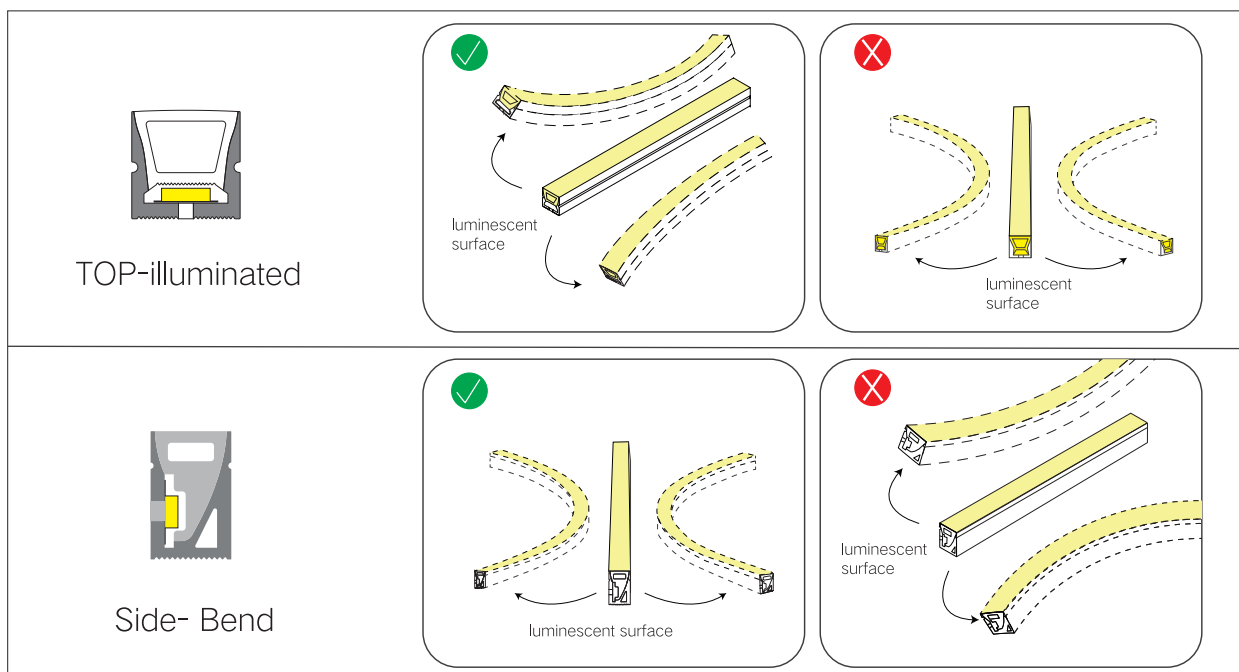
- a 、 Mounting clip
- b 、 Screws
- c 、 Silicone Neon Flex channel
- d0 、 Bottom End cap
- d1 、 Positive with hole End cap
- e 、 Led Strip
- f 、 Keel

## 2. Led Neon Strip Light Installation Precautions

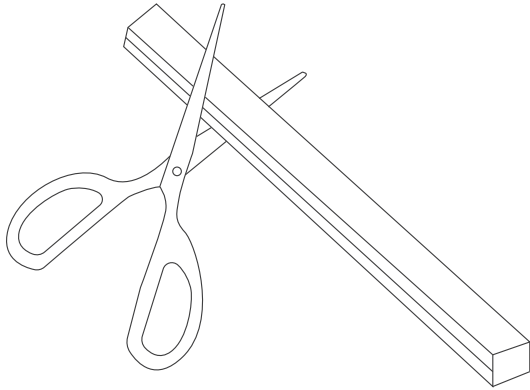
- 1) . Led Neon strip light minimum bending diameter, bending radius is greater than the minimum bending diameter, can not be too much force to squeeze.



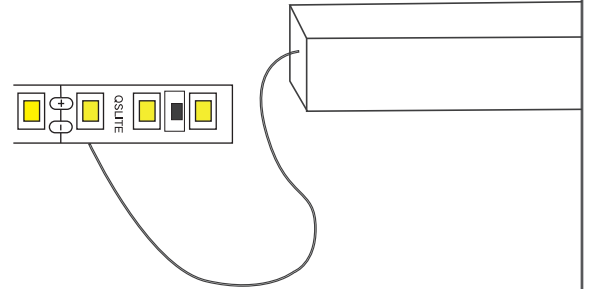
- 2) . The direction of the neon strip bends in the same direction as the front and back of the strip facing upwards.



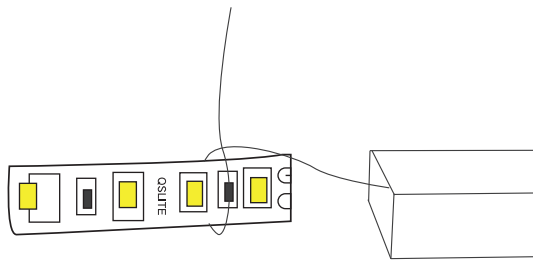
### 3. Silicone Neon Led Strip Installation



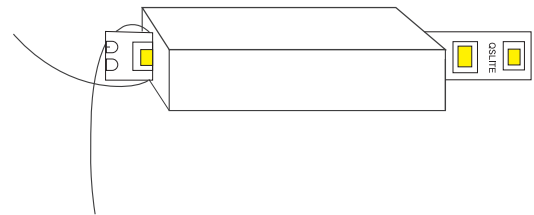
1). Cut the silicone neon LED strip to the right length.



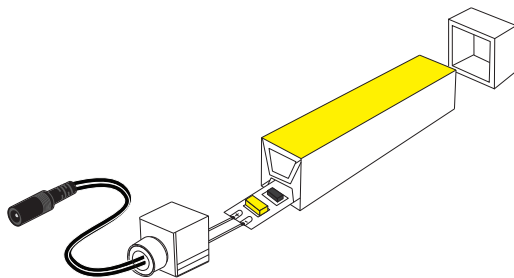
2). Choose the right width of the strip according to the width of the silicone neon flex.



3). Tie the drawstring from the silicone neon flex to the other end of the strip and secure it with a knot.



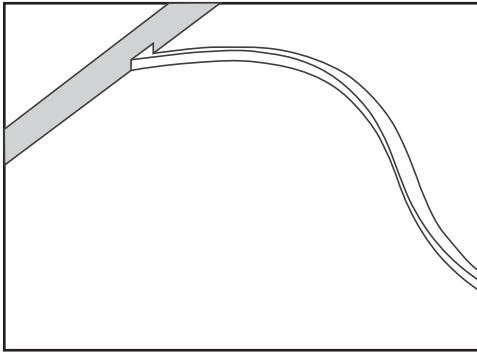
4). Pull hard on the other end of the silicone flex to bring the strip unit flush with the silicone neon flex.



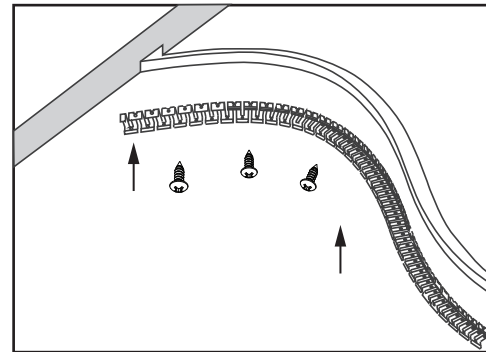
5). Solder the light strip wires to the converter wires and determine where they appear and secure the light strip with plugs.

## 4、Installation steps

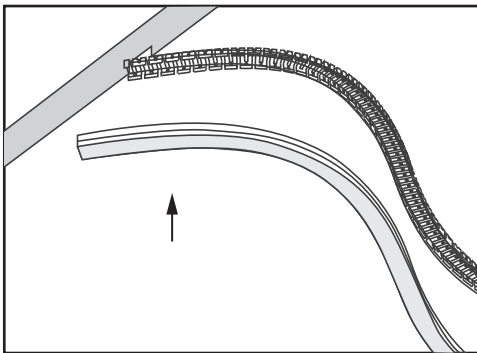
### — Keel mounting method —



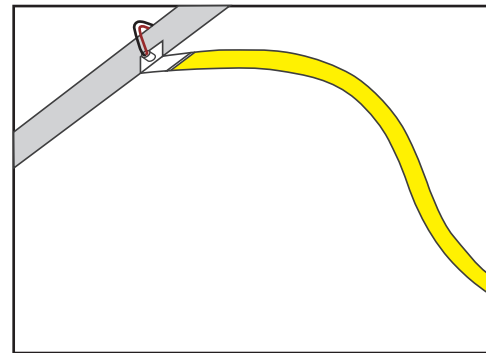
1). Slot in the ceiling according to the size of the keel.



2). Install the keel into the open light slot and fasten with screws.

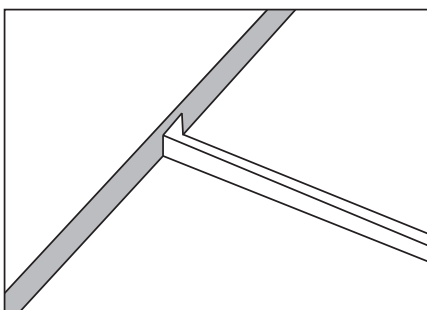


3). Snap the fitted silicone light strip into the keel.

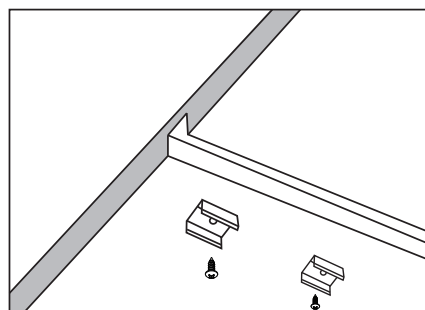


4). Hidden power Power supply installation complete.

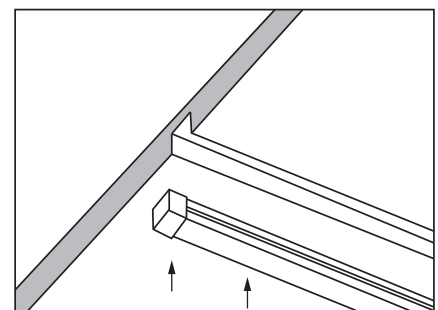
### — Clip mounting method —



1. Slot in the ceiling according to the size of the mounting clip

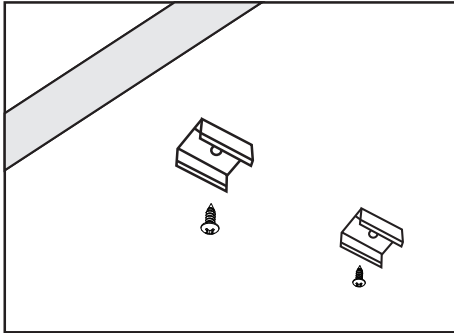


2. Snap the clips into the ceiling of the slots cut and secure with screws

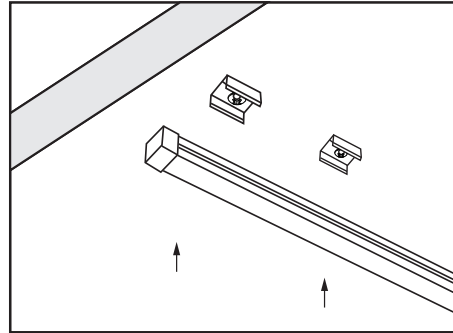


3. The installed light strip silicone light strip into the card, and connect the wire hide the Power supply, the installation is complete!

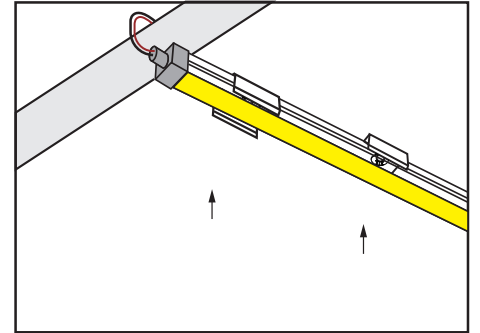
— Surface mounting method —



1. Install the clips on the ceiling and secure with screws.



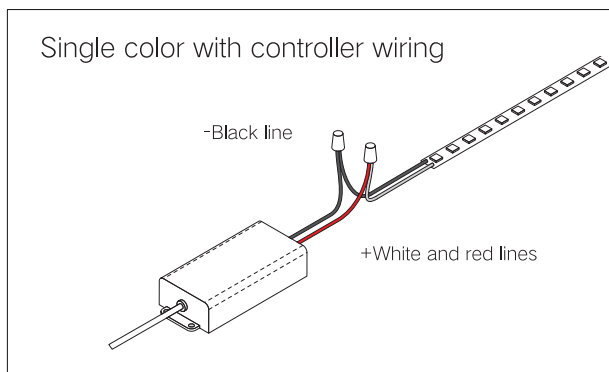
2. Snap the mounted light strip silicone light strip into the Clips.



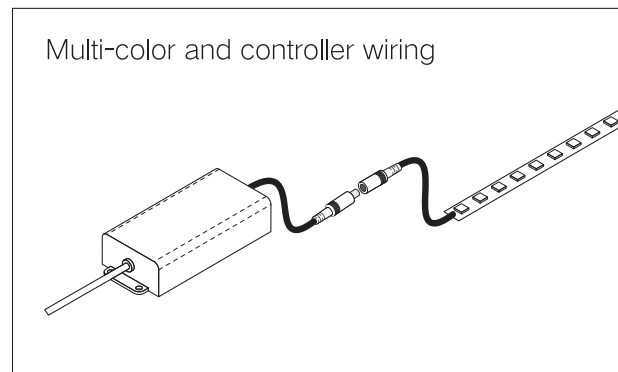
3. Silicone LED strip and Power supply welding wires, hidden Power supply, installation completed.

## 5. Installation of power supply

### 1) . Led Strip & Driver Wiring



For single-color control, solder the wires to the driver: negative black wire to black wire, positive white wire to red wire.

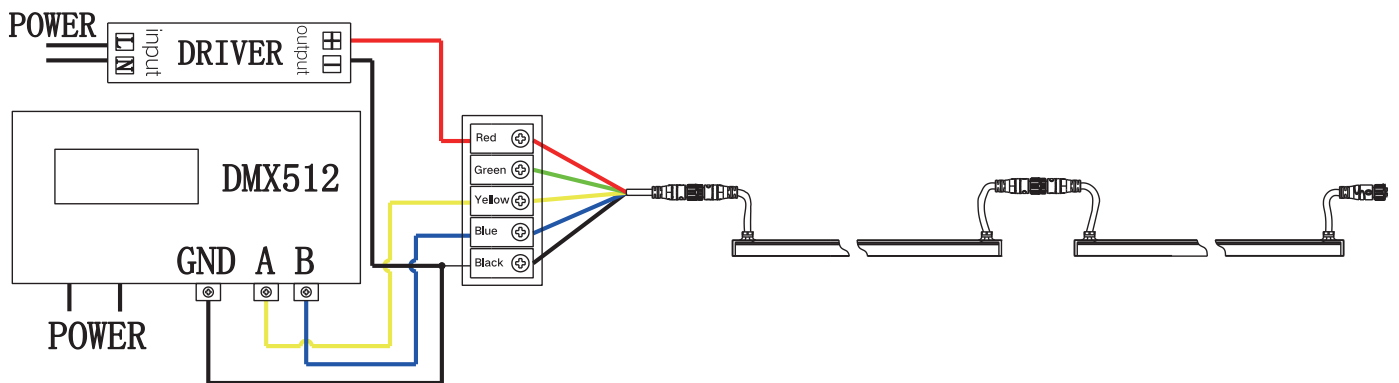


For multi-color control, the silicone strip requires a converter to be soldered to the strip, and the converter needs to be wire-soldered to the driver.

2) . Adjustable Lamp with Outgoing Wire Polarity and DMX Controller  
Wiring Schematic :

Wiring Cross Reference		
Wire Color	Polarities	Functional Description
Red	DC24V+	DC24V+anodal
Green	PI	When splicing, the pout of the front light strip is connected to the pin of the back light strip, and the pin of the signal light position is not connected.
Yellow	A+	Console signal cable DMX+
Blue	B-	Console signal cable DMX+
Black	GND	DC24V-cathode

Strip light can be used in parallel according to demand, the length of the strip when used in series does not exceed 10 meters, and the length of ten meters need to be the first and last power supply to ensure that the brightness of the same.



SHENZHEN QISEGUANG LIGHTING CO.,LTD  
FOSHAN QISEGUANG ALUMINUM CO.,LTD

Add1 : Building 9, No.71 Nanhuan Road, Xinqiao Street, Baoan District, Shenzhen, China

Add2 : No.43, Xile Road, Sanshui District, Foshan, China

Tel: +86-0755-29714990 | Fax: +86-0755-27171036

E-mail: [info@qsgledprofile.com](mailto:info@qsgledprofile.com) | [info@shenzhenqiseguang.com](mailto:info@shenzhenqiseguang.com)

Website: [www.qslite.com](http://www.qslite.com) | [www.qslite.cn](http://www.qslite.cn) | [www.qsgledprofile.com](http://www.qsgledprofile.com)

